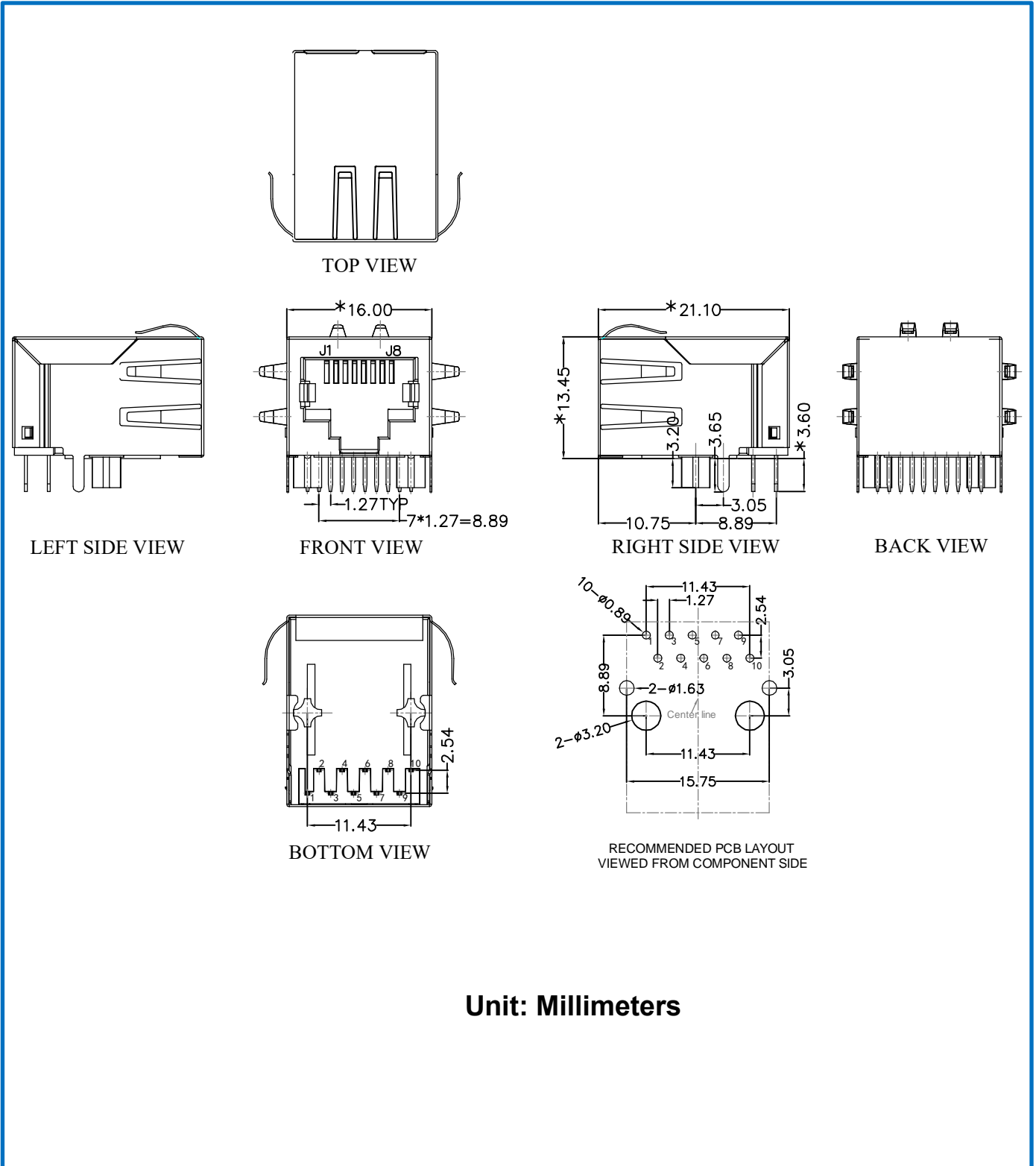


TAB-DOWN 1X1 1000BASE

UN111Q303HWA1DFL

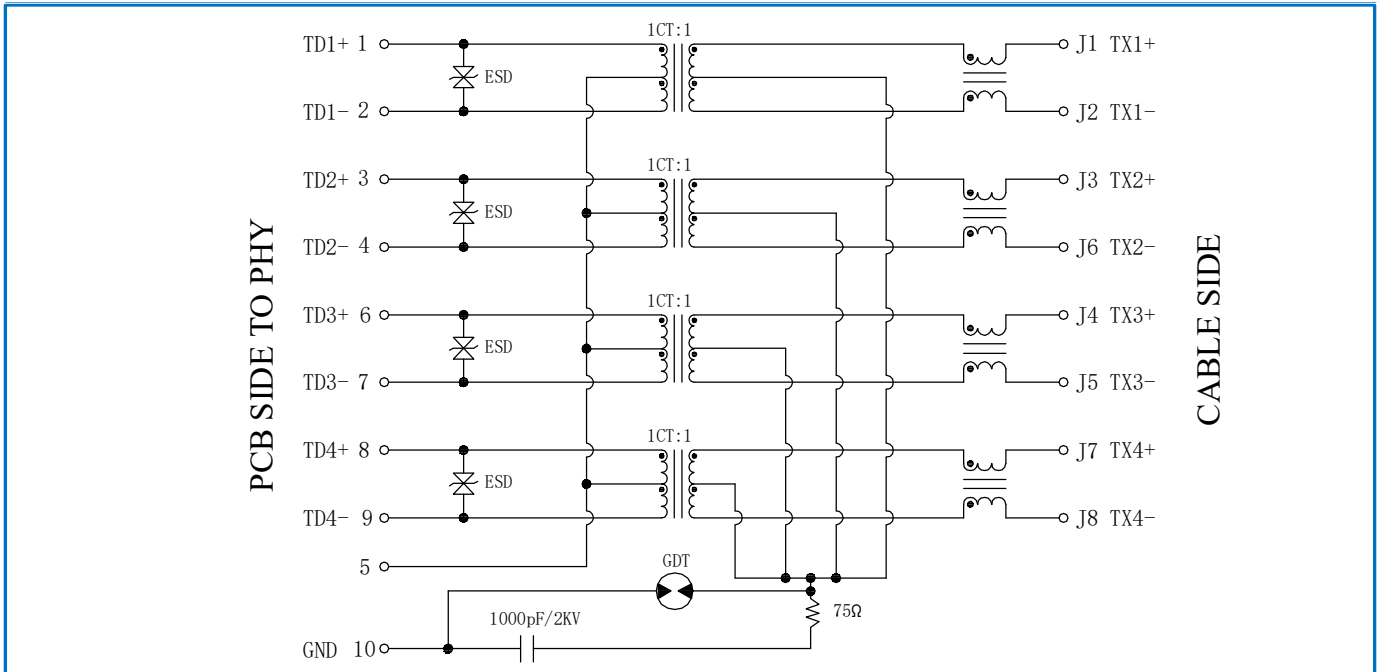
Dimensions



TAB-DOWN 1X1 1000BASE

UN111Q303HWA1DFL

Schematic



Soldering Parameters

